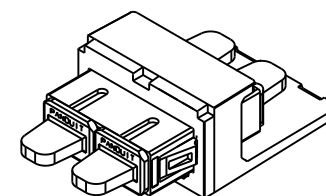
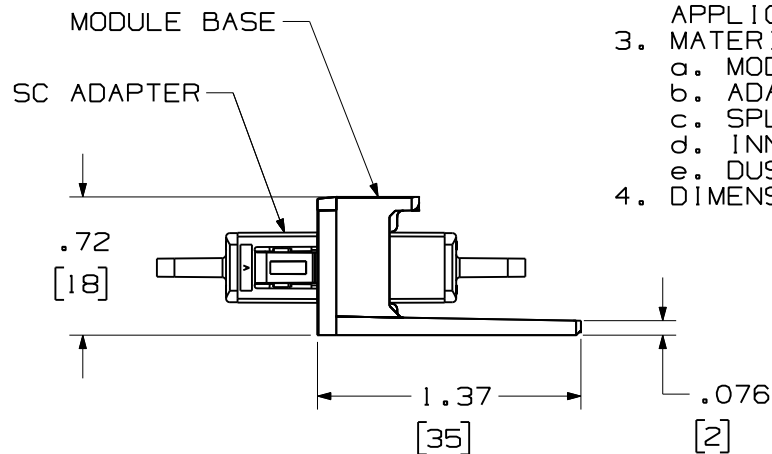
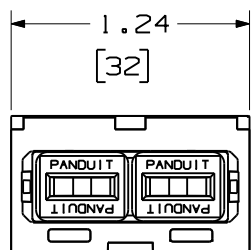
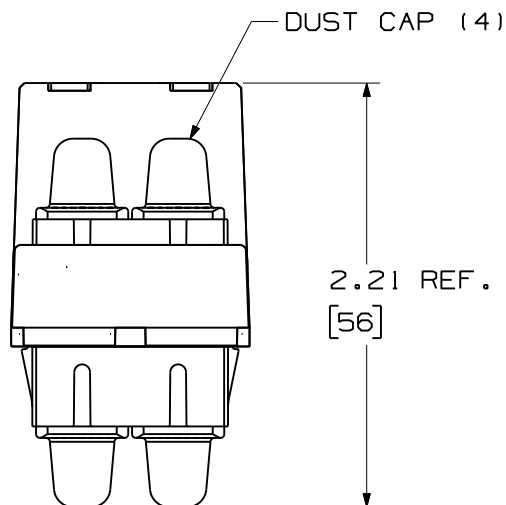


THIS COPY IS PROVIDED ON A RESTRICTED BASIS AND IS NOT TO BE USED IN ANY WAY DETRIMENTAL TO THE INTERESTS OF PANDUIT CORP.




PANDUIT P/N	WEIGHT	SPLIT SLEEVE TYPE
CMDAQSC**	2.2 lbs/100 pcs (980.0 g/100 pcs)	PHOS BRONZE
CMDEISC**		
CMDBUSC**		
CMDAGSCZ**	2.2 lbs/100 pcs (980.0 g/100 pcs)	ZIRCONIA
CMDAQSCZ**		
CMDEISCZ**		
CMDBUSCZ**		

NOTES:

1. SEE CURRENT CATALOG FOR PART NUMBER SUFFIXES TO INDICATE COLOR OF MODULE BASE, AND/OR PACKAGE QUANTITIES.
2. SEE CATALOG FOR COMPLETE LIST OF PARTS APPLICABLE FOR USE WITH THIS PART.
3. MATERIALS:
 - a. MODULE BASE: PLASTIC
 - b. ADAPTER HOUSING: PLASTIC
 - c. SPLIT SLEEVE: ZIRCONIA/PHOS BRONZE
 - d. INNER LATCH: POLYETHERIMIDE
 - e. DUST CAP: ELASTOMER
4. DIMENSIONS IN PARENTHESES ARE IN METRIC.

REV	DATE	BY	CHK	DESCRIPTION	ECN	R	CUST	SUP	OTH
3	10-30-07	MC		RELEASED TO PRODUCTION	01115-09				

MINI-COM DUPLEX SC MODULE
CUSTOMER DRAWING



PANDUIT™
CORP.
TINLEY PARK, ILL 60477

<p>ALL DIMENSIONS ARE GIVEN IN INCHES UNLESS OTHERWISE SPECIFIED.</p> <p>DIMENSIONAL TOLERANCES ARE: (.X) (.XXX)±.010 (0.3) (.XX)±.03 (0.8) ANGLES</p>	<p>DRAWING FILENAME MO1115BG_DC_01A.prt</p> <p>SCALE NONE</p> <p>PART NO. SEE TABLE</p> <p>DRAWING NO. 01115-09</p> <p>SIZE A</p>
<p>THIRD ANGLE PROJECTION</p> <p>DRAWN BY MC</p> <p>DATE 06-20-01</p> <p>CHK'D PJ1</p>	<p>REVIEW DRAWING NUMBERS</p>